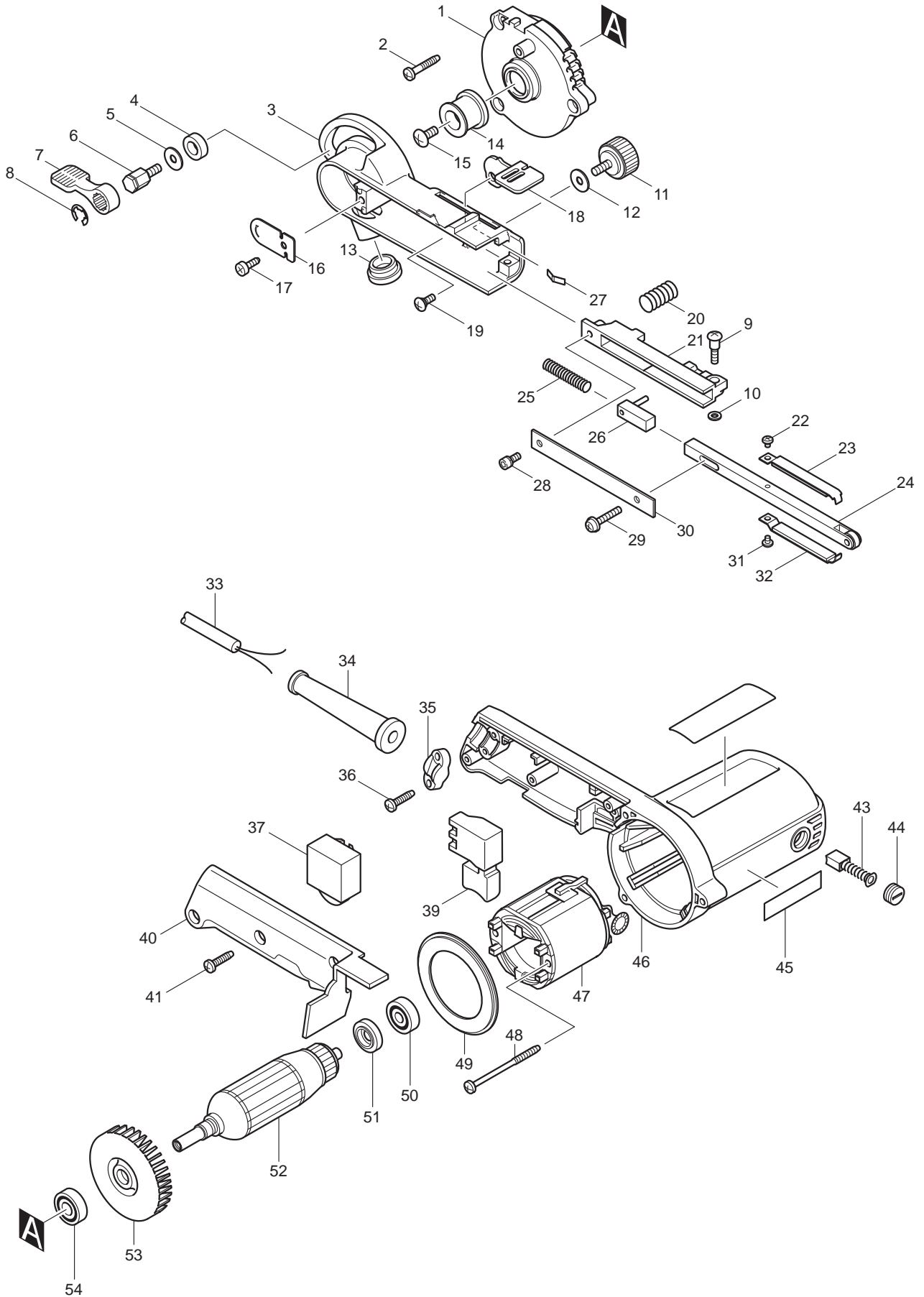




07 - 2009

9032

3/8" X 21" BELT SANDER



Item No	Type	Ref	Part No	Description	Qty	Unit
1			317523-4	BRACKET	1	PC.
2			265999-8	TAPPING SCREW 4X25	3	PC.
3			153308-2	PULLEY COVER COMPLETE	1	PC.
4			257249-5	RING 9	1	PC.
5			253807-5	FLAT WASHER 5	1	PC.
6			265494-8	HEX. BOLT M5X13	1	PC.
7			272229-0	LEVER 40	1	PC.
8			961014-3	STOP RING E-8	1	PC.
9			265090-2	+ PAN HEAD SCREW M4X20	1	PC.
10			941052-1	FLAT WASHER 4	1	PC.
11			265751-4	THUMB SCREW M5X13	1	PC.
12			253807-5	FLAT WASHER 5	1	PC.
13			421198-4	CAP	1	PC.
14			317522-6	DRIVING ROLLER	1	PC.
15			265092-8	TRUSS HEAD SCREW M5X12	1	PC.
16			345196-3	SAFETY COVER	1	PC.
17			266026-4	TAPPING SCREW BIND CT 4X12	1	PC.
18			345197-1	CAM LEVER	1	PC.
19			265028-7	+ PAN HEAD SCREW M4X11	1	PC.
20			233333-0	COMPRESSION SPRING 10	1	PC.
21			317525-0	ARM HOLDER	1	PC.
22			265040-7	+ PAN HEAD SCREW M3X4	1	PC.
23			153314-7	SHOE 9 COMPLETE	1	PC.
24			153310-5	ARM 9 COMPLETE	1	PC.
25			233332-2	COMPRESSION SPRING 6	1	PC.
26			153312-1	ARM TENSIONER COMPLETE	1	PC.
27			232185-6	LEAF SPRING	1	PC.
28			922111-0	HEX. SOCKET HEAD BOLT M4X10	1	PC.
29			911138-5	PAN HEAD SCREW M4X20	1	PC.
30			345195-5	ARM COVER	1	PC.
31			265040-7	+ PAN HEAD SCREW M3X4	1	PC.
32			153314-7	SHOE 9 COMPLETE	1	PC.
33			664064-4	CORD W/PLUG 2P-18-2.5M, SJ	1	PC.
34			682502-4	CORD GUARD 8-85	1	PC.
35			687063-9	STRAIN RELIEF	1	PC.
36			265995-6	TAPPING SCREW 4X18	2	PC.
37		1	631184-9	CONTROLLER	1	PC.
		2	631676-8	CONTROLLER	1	PC.
39			651263-7	SWITCH SGEL206C	1	PC.
40			415635-8	HANDLE COVER	1	PC.
41			265995-6	TAPPING SCREW 4X18	3	PC.
43		1	191938-1	CARBON BRUSH CB-408, 2PCS/SET (W/O ORIGIN)	1	SET
		2	195008-8	CARBON BRUSH CB-408 2PC/SET (W/ ORIGIN)	1	SET
44			643550-8	BRUSH HOLDER CAP 5-8	2	PC.
45			819063-3	MAKITA LABEL	1	PC.
46			159747-4	MOTOR HOUSING COMPLETE	1	PC.
		INC.	643932-4	BRUSH HOLDER 6X9	2	PC.
47			593496-7	FIELD ASS'Y 115V	1	PC.
		INC.	654100-4	RING TERMINAL	2	PC.
		INC.	654501-6	CONNECTOR P-1.25	2	PC.
48			266052-3	TAPPING SCREW 4X60	2	PC.
49			415634-0	BAFFLE PLATE	1	PC.
50			210023-2	BALL BEARING 627DDW	1	PC.

Item No	Type	Ref	Part No	Description	Qty	Unit
51			681614-0	INSULATION WASHER	1	PC.
52			517386-0	ARMATURE ASS'Y 115V	1	PC.
		INC.		Item No. 50, 51, 53, 54	1	PC.
53			241884-9	FAN 60	1	PC.
54			210005-4	BALL BEARING 608DDW	1	PC.
100			652008-6	P.H.SCREW M3.5X7	4	PC.
101			654037-5	INSULATED EYE TERMINAL FV1.25-M3	4	PC.
102			654593-5	SPLICE	2	PC.

ACCESSORIES

- See catalogue or visit www.makita.ca for more optional accessories -

A01			A-34469	3/8"X21" ABRASIVE BELT 80G, 10PCS/SET	2	PC.
A02			125158-5	ARM ASSY FOR 3/8"X21"	1	PC.
		INC.	153310-5	ARM 9 COM	1	PC.
		INC.	153314-7	SHOE 9 COM	2	PC.
		INC.	265040-7	P.H.SCREW M3X4	2	PC.
A03			125157-7	ARM ASSY FOR 1/4"X21"	1	PC.
		INC.	153309-0	ARM 6 COM	1	PC.
		INC.	153313-9	SHOE 6 COM	2	PC.
		INC.	265040-7	P.H.SCREW M3X4	2	PC.
A04			125159-3	ARM ASSY FOR 1/2"X21"	1	PC.
		INC.	153311-3	ARM 13 COM	1	PC.
		INC.	153315-5	SHOE 13 COM	2	PC.
		INC.	265040-7	P.H.SCREW M3X4	2	PC.
A05			193618-5	STAND	1	PC.
A06			P-80006	DUST NOZZLE ASSY	1	PC.